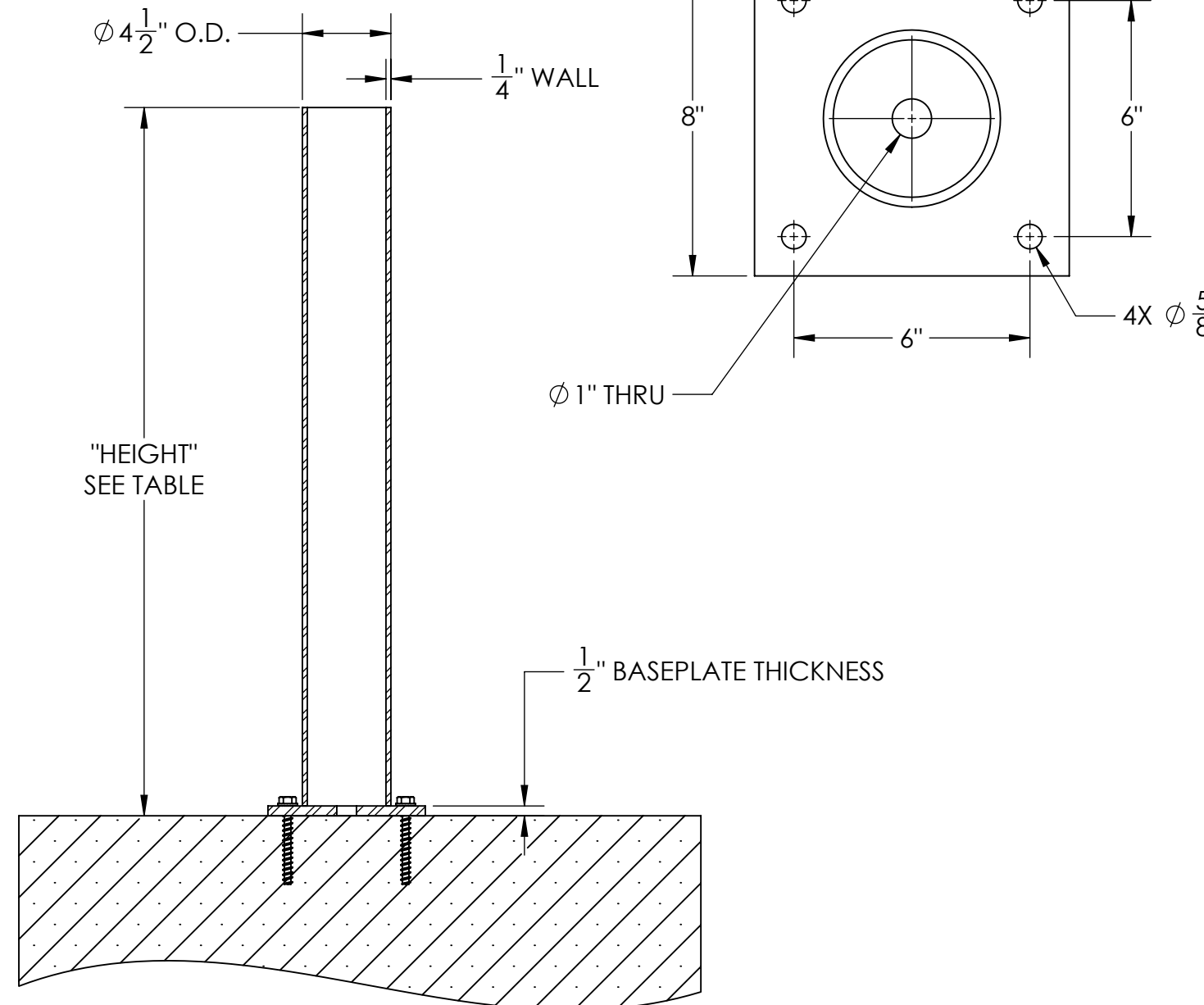
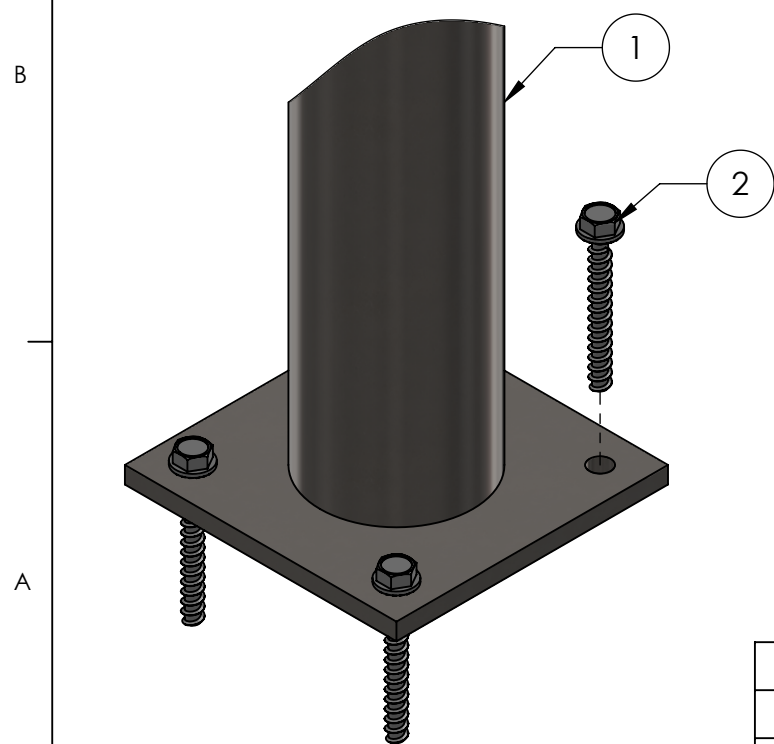


ISOMETRIC VIEW
36" VERSION SHOWN



TYPICAL INSTALLATION CROSS SECTION

GENERAL DESCRIPTION:

THE TOP GARD BOLT DOWN BOLLARD IS EASY TO INSTALL AND RELOCATE - BOTH INDOORS AND OUT. MADE FROM STEEL, IT FEATURES A WIDE SURFACE FLANGE FOR EFFECTIVE STABILITY. PRE-DRILL HOLES IN EXISTING CONCRETE AND BOLT DOWN FLANGE.

GENERAL SPECIFICATIONS:

DIAMETER: 4-1/2" OD
MATERIAL: ASTM A36 STEEL
FINISH: PRIMER

AVAILABLE CONFIGURATIONS		
PART NO.	HEIGHT	WEIGHT
BDB-04-ECON-36	36"	41.6 LB
BDB-04-ECON-42	42"	47.2 LB
BDB-04-ECON-48	48"	52.7 LB

INSTALLATION PARTS LIST			
ITEM NO.	PART NUMBER	DESCRIPTION	QTY.
1	BDB-04-ECON-XX	4" ECONOMY BOLT DOWN BOLLARD	1
2	BDBSB54	HEX HEAD ANCHOR - 1/2" x 4.0" LG, ZINC PLATED	4



TOP GARD
Construction Products

15310 ENDEAVOR DR
SUITE 200
NOBELSVILLE, IN 46060
317-917-2240

DRAWN	11/10/20	TITLE:	
RELEASED	3/19/21	4" ECONOMY BOLT DOWN BOLLARD	
REVISED	N/A		
UNLESS OTHERWISE SPECIFIED, DIMENSIONS AND TOLERANCES ARE IN INCHES AND ARE ± .125"		SIZE	REV
		B	0
		DWG. NO.	SCALE: NONE
		BDB-04-ECON	SH 1