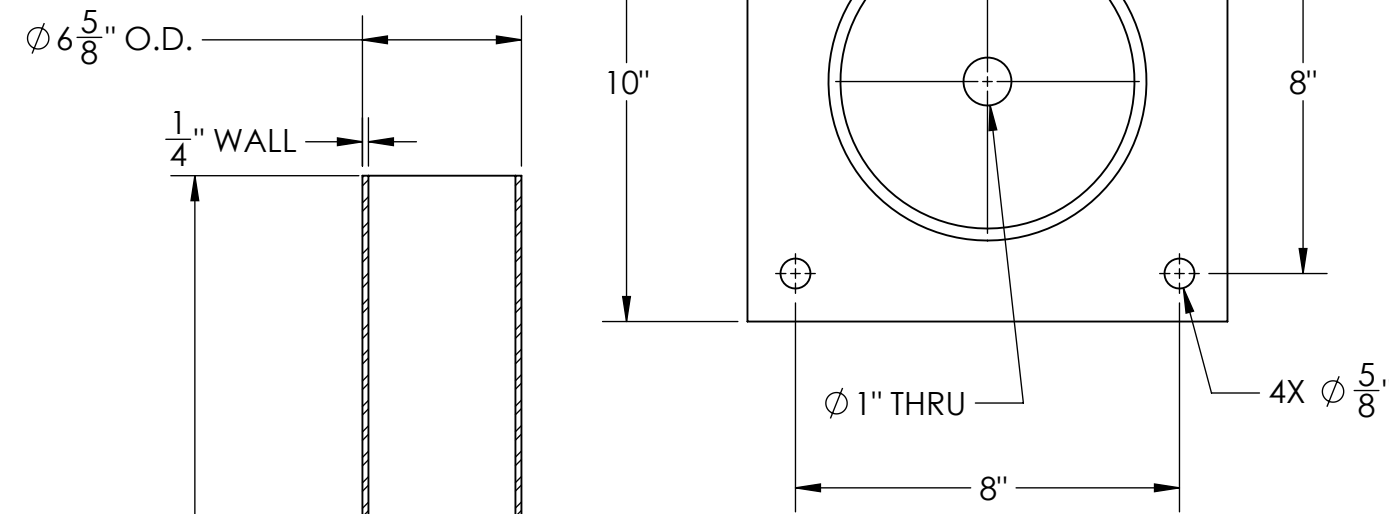


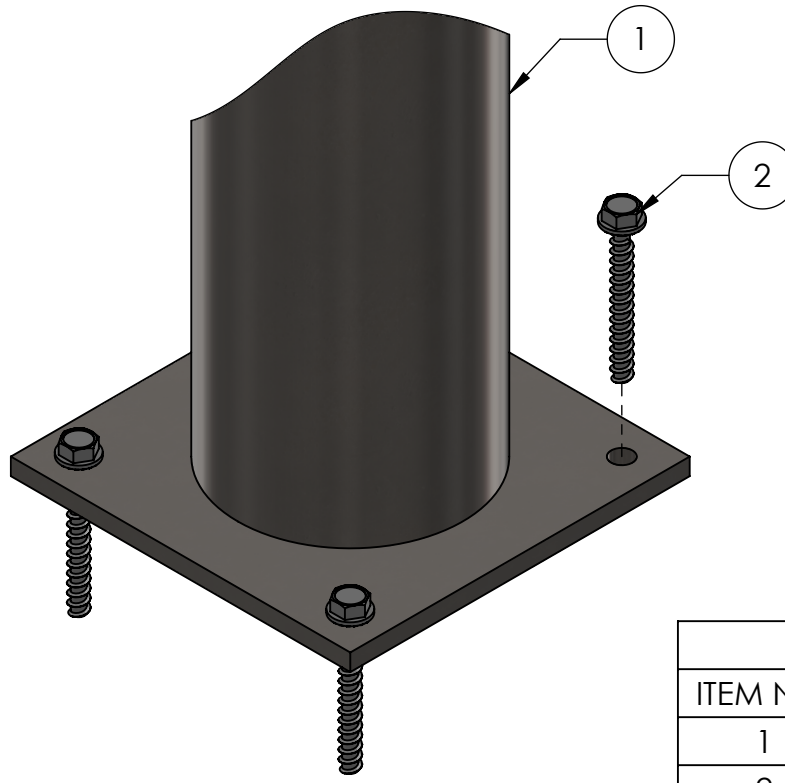


ISOMETRIC VIEW
36" VERSION SHOWN



"HEIGHT"
SEE TABLE

1/2" BASEPLATE THICKNESS



TYPICAL INSTALLATION CROSS SECTION

INSTALLATION PARTS LIST			
ITEM NO.	PART NUMBER	DESCRIPTION	QTY.
1	BDB-06-ECON-XX	6" ECONOMY BOLT DOWN BOLLARD	1
2	BDBSB54	HEX HEAD ANCHOR - 1/2" x 4.0" LG, ZINC PLATED	4

GENERAL DESCRIPTION:
THE TOP GARD BOLT DOWN BOLLARD IS EASY TO INSTALL AND RELOCATE - BOTH INDOORS AND OUT. MADE FROM STEEL, IT FEATURES A WIDE SURFACE FLANGE FOR EFFECTIVE STABILITY. PRE-DRILL HOLES IN EXISTING CONCRETE AND BOLT DOWN FLANGE.

GENERAL SPECIFICATIONS:
DIAMETER: 6-5/8" OD
MATERIAL: ASTM A36 STEEL
FINISH: PRIMER

AVAILABLE CONFIGURATIONS		
PART NO.	HEIGHT	WEIGHT
BDB-06-ECON-36	36"	63.1 LB
BDB-06-ECON-42	42"	71.4 LB
BDB-06-ECON-48	48"	79.8 LB



TOP GARD
Construction Products
15310 ENDEAVOR DR
SUITE 200
NOBELSVILLE, IN 46060
317-917-2240

DRAWN	12/01/20	TITLE:	6" ECONOMY BOLT DOWN BOLLARD
RELEASED	3/19/21		
REVISED	N/A		
UNLESS OTHERWISE SPECIFIED, DIMENSIONS AND TOLERANCES ARE IN INCHES AND ARE ± .125"			
SIZE	DWG. NO.	REV	
B	BDB-06-ECON	0	
SCALE: NONE			SH 1