

SPECIFICATIONS

3" X 36" COLLAPSIBLE, BOLT DOWN BOLLARD WITH RUBBER END CAP BOTTOM

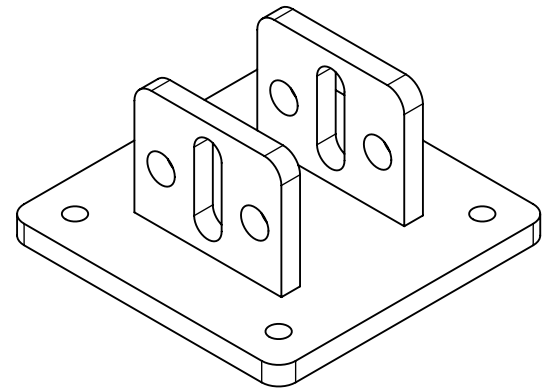
COLOR: YELLOW

INSTALLATION: 4X 1/2" X 4" BOLTS

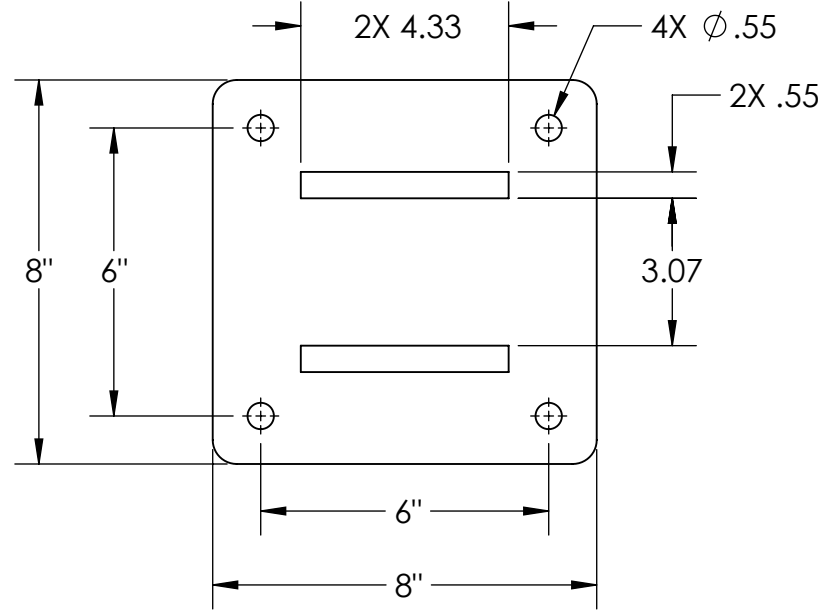


TOP GARD
Construction Products
15310 ENDEAVOR DR
SUITE 200
NOBELSVILLE, IN 46060
317-917-2240

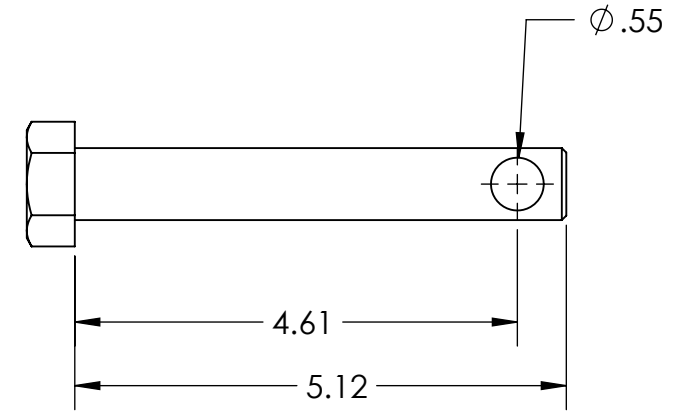
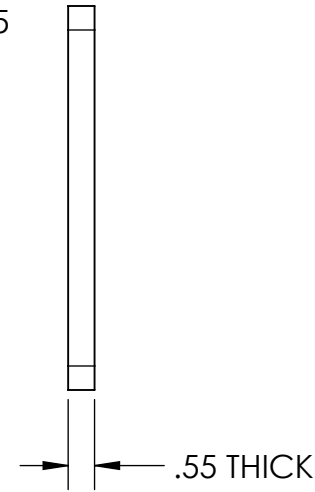
DRAWN	TBD	TITLE: 3" X 36" TWO WAY COLLAPSIBLE BOLT-DOWN BOLLARD
RELEASED	TBD	
REVISED	N/A	
UNLESS OTHERWISE SPECIFIED, DIMENSIONS AND TOLERANCES ARE IN INCHES AND ARE ± .125"		
SIZE	DWG. NO.	REV
B	110-336-COLLAPSIBLE	0
SCALE: NONE		SH 1



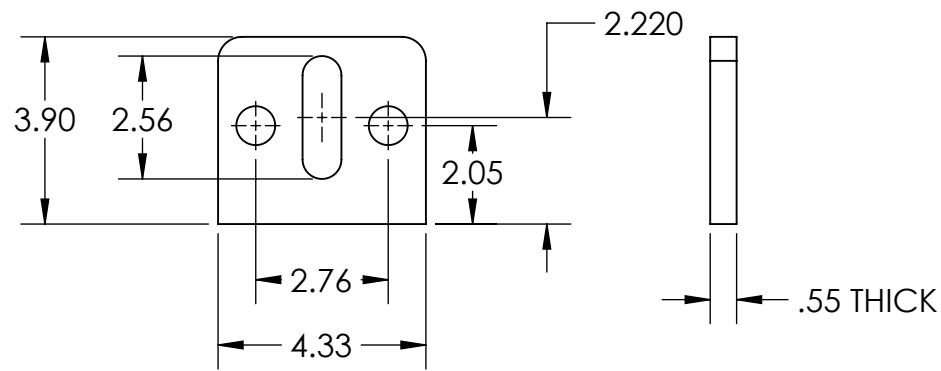
WELDED BASEPLATE



BASEPLATE



ROD



2X SUPPORTS



TOP GARD
Construction Products
15310 ENDEAVOR DR
SUITE 200
NOBELSVILLE, IN 46060
317-917-2240

DRAWN	10/04/22	TITLE:
RELEASED	TBD	3" X 36" TWO WAY COLLAPSIBLE BOLT-DOWN BOLLARD
REVISED	N/A	
<small>UNLESS OTHERWISE SPECIFIED, DIMENSIONS AND TOLERANCES ARE IN INCHES AND ARE ± .125"</small>		
SIZE	DWG. NO.	REV
B	110-336-COLLAPSIBLE	0
SCALE: NONE		SH 2