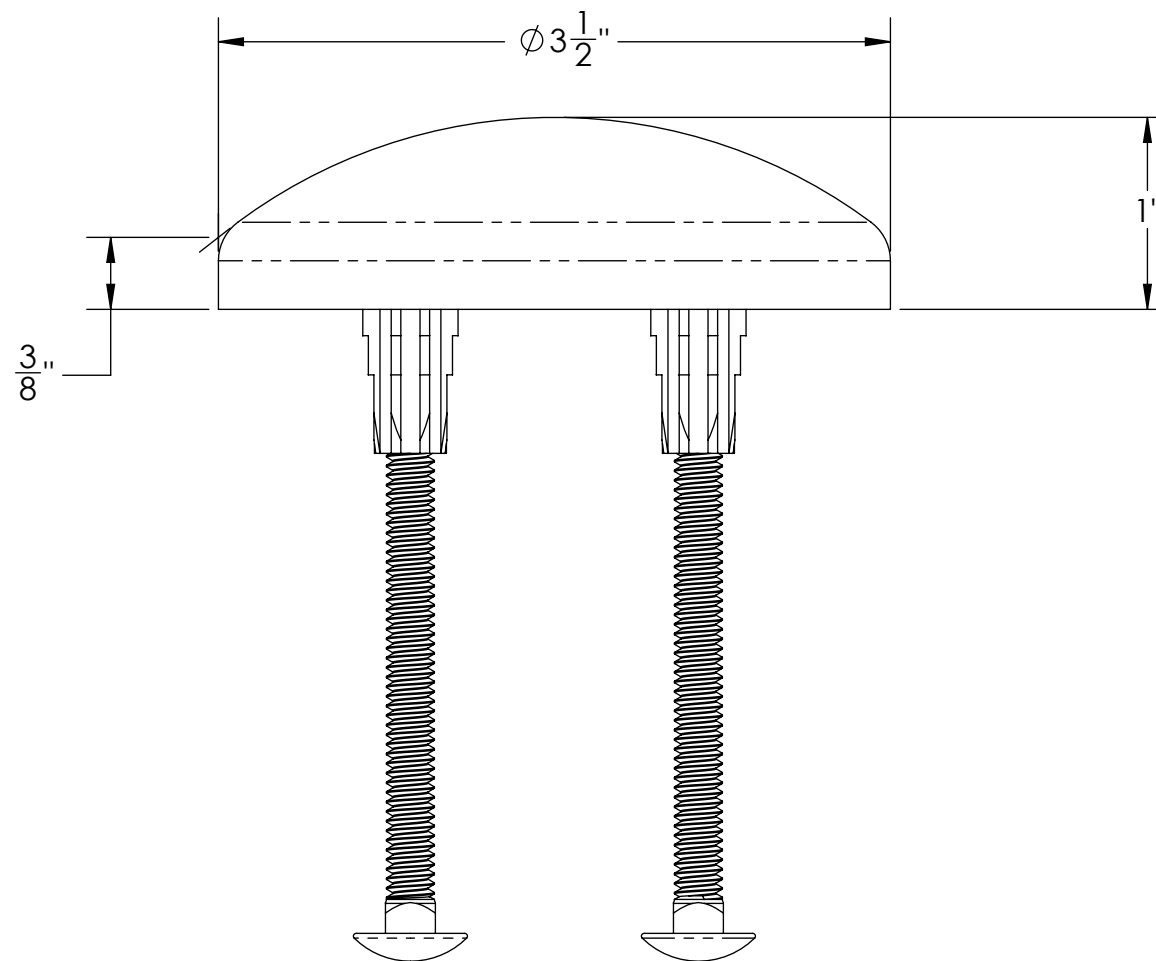
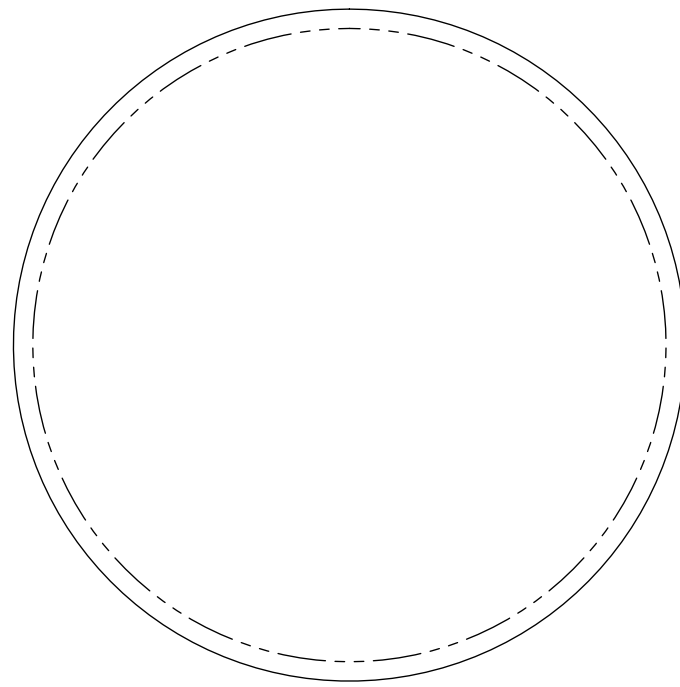


ISOMETRIC VIEW



GENERAL DESCRIPTION

TOPGARD CAPS PROVIDE A LOW COST ALTERNATIVE TO TRADITIONAL BOLLARD HAND-FINISHING. THEY PROVIDE A CLASS A FORM FINISH IN A FRACTION OF THE TIME IT TAKES TO FINISH A BOLLARD BY HAND. WITH AS MUCH AS 90% LABOR SAVINGS AND NO PUNCH LIST, TOPGARD IS A PRODUCT MADE BY CONTRACTORS FOR CONTRACTORS.

GENERAL SPECIFICATIONS

WEIGHT: 1 LB
 MATERIAL: PRECAST CONCRETE
 INSERTS: 2X 1/4" SETTING INSERTS
 BOLTS: 2X 1/4" X 4" CARRIAGE



TOPGARD
 Construction Products
 15310 ENDEAVOR DR
 SUITE 200
 NOBELSVILLE, IN 46060
 317-917-2240

| | | |
|---|------------|-------------------------|
| DRAWN | 08/15/22 | TITLE: |
| RELEASED | 09/08/22 | |
| REVISED | N/A | |
| UNLESS OTHERWISE SPECIFIED, DIMENSIONS AND TOLERANCES ARE IN INCHES AND ARE $\pm .125"$ | | BOLLARD CAP - 3" |
| SIZE | DWG. NO. | |
| B | TG3 | REV 0 |
| SCALE: NONE | | SH 1 |