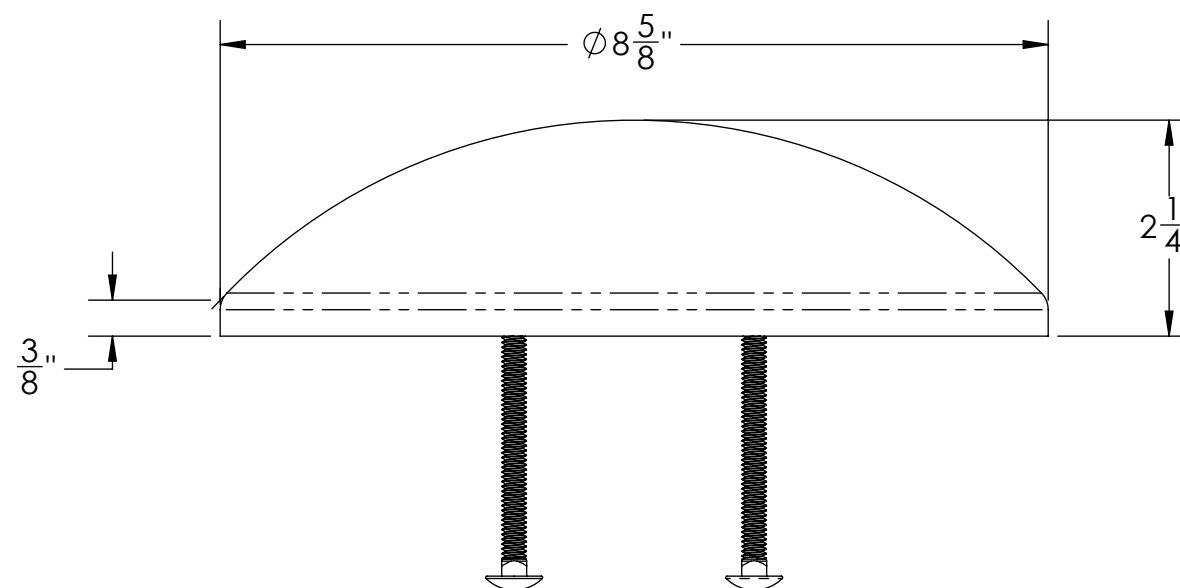
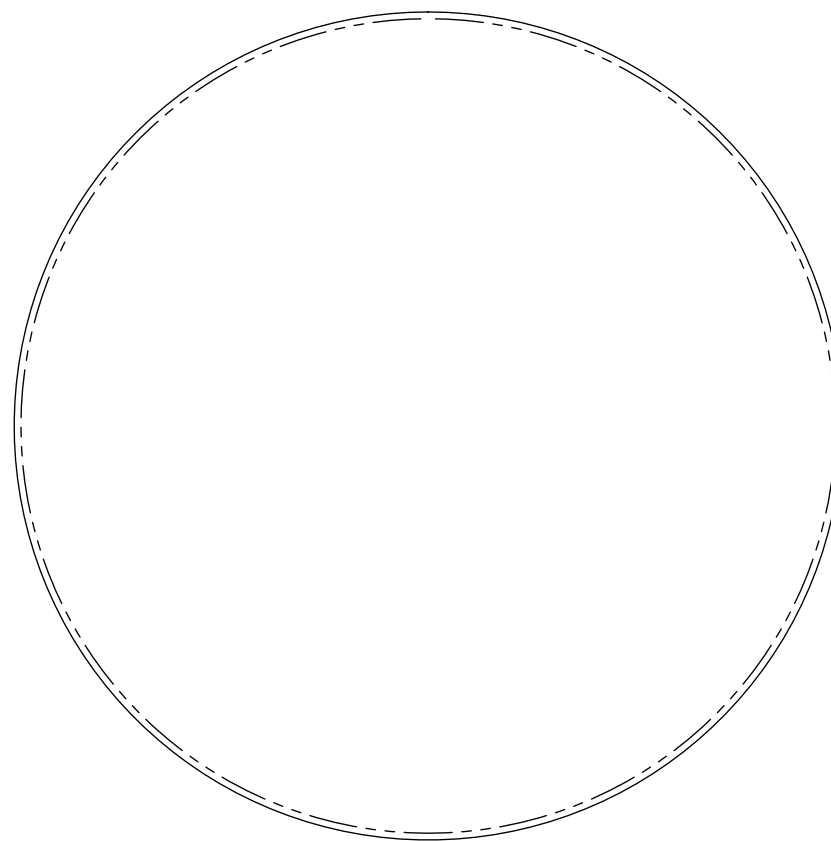


ISOMETRIC VIEW



GENERAL DESCRIPTION

TOPGARD CAPS PROVIDE A LOW COST ALTERNATIVE TO TRADITIONAL BOLLARD HAND-FINISHING. THEY PROVIDE A CLASS A FORM FINISH IN A FRACTION OF THE TIME IT TAKES TO FINISH A BOLLARD BY HAND. WITH AS MUCH AS 90% LABOR SAVINGS AND NO PUNCH LIST, TOPGARD IS A PRODUCT MADE BY CONTRACTORS FOR CONTRACTORS.

GENERAL SPECIFICATIONS

WEIGHT: 6.5 LB
 MATERIAL: PRECAST CONCRETE
 INSERTS: 2X 1/4" SETTING INSERTS
 BOLTS: 2X 1/4" X 4" CARRIAGE



TOPGARD
 Construction Products
 15310 ENDEAVOR DR
 SUITE 200
 NOBELSVILLE, IN 46060
 317-917-2240

DRAWN	08/15/22	TITLE:
RELEASED	09/08/22	
REVISED	N/A	
UNLESS OTHERWISE SPECIFIED, DIMENSIONS AND TOLERANCES ARE IN INCHES AND ARE ± .125"		BOLLARD CAP - 8"
SIZE	DWG. NO.	REV
B	TG8	0
SCALE: NONE		SH 1